

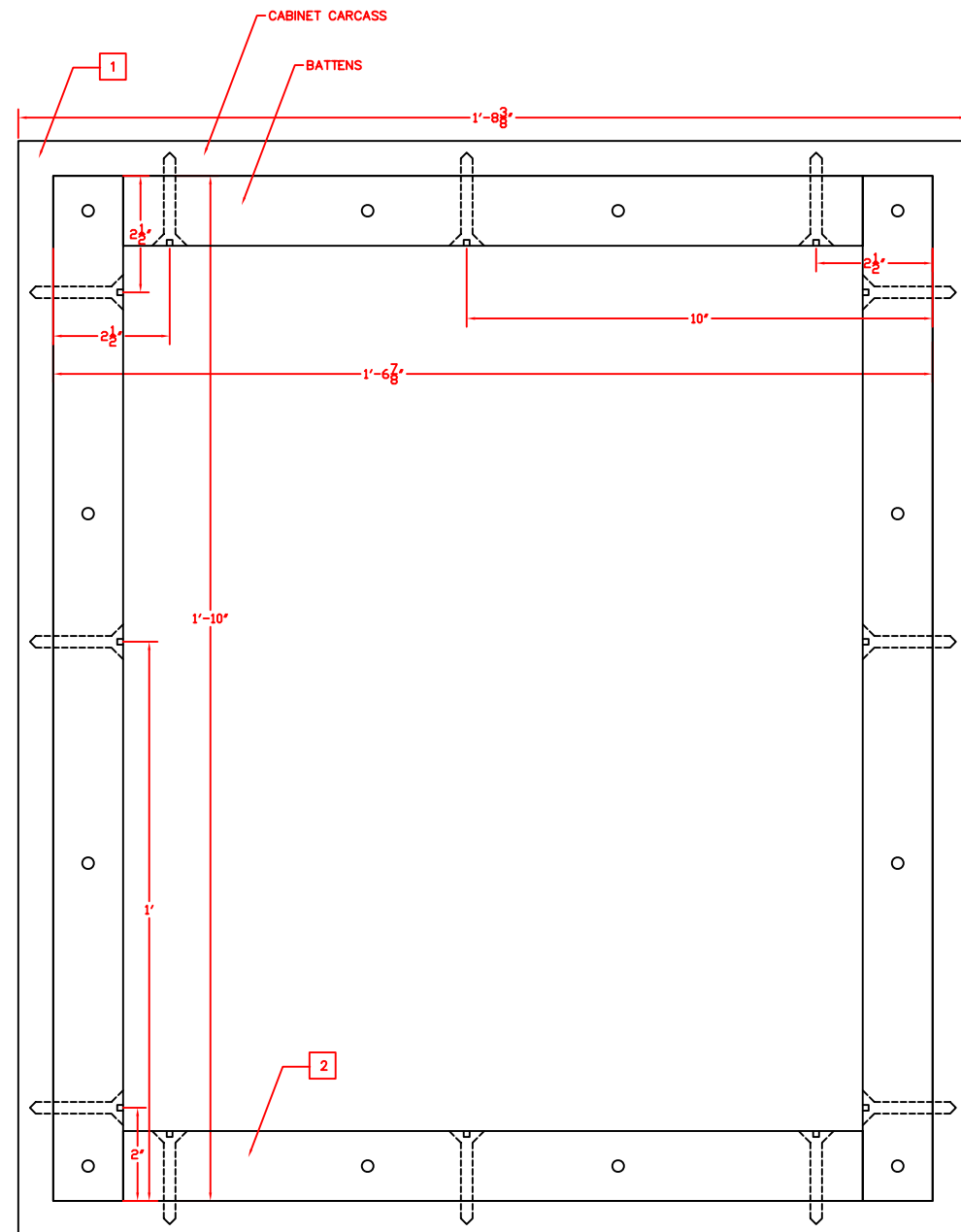
Revision	Description
07.06.15	Issued For Construction
07.06.16	Cabinet And Construction Note Corrections
09.08.03	Removed Grille Cloth Frame & Resized Cabinet

CABINET CONSTRUCTION NOTES:

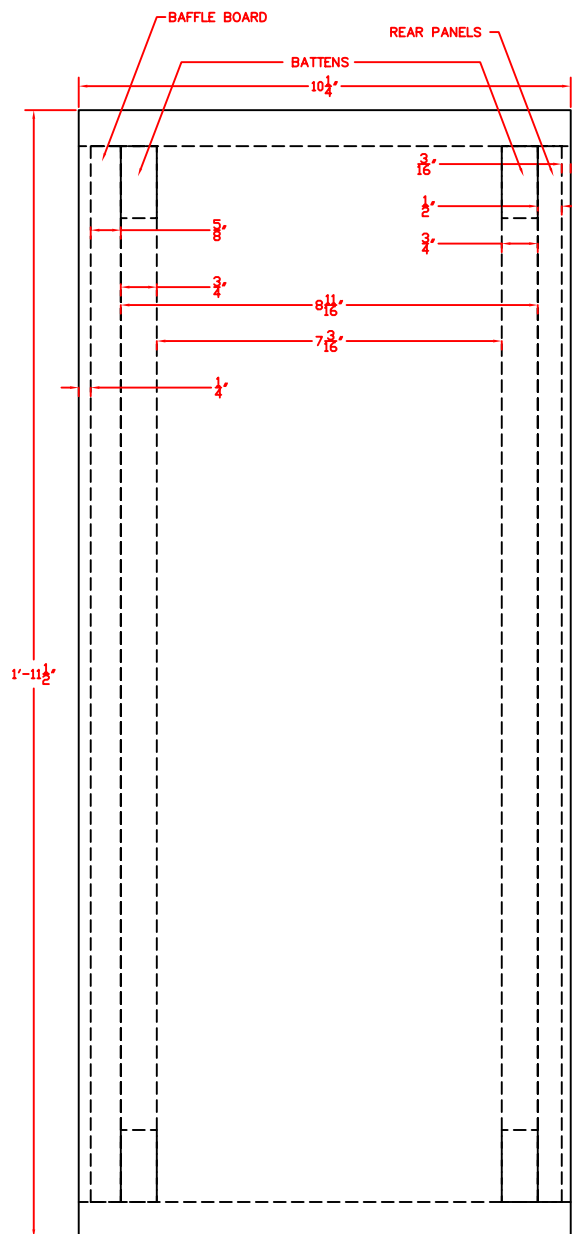
- 1 THE SPECIFIC TYPE OF CORNER JOINTS USED IN THE CABINET CARCASS IS LEFT TO THE BUILDER. AN IMPORTANT POINT TO BEAR IN MIND IS THAT THE INTERIOR VOLUME OF THE CABINET IS CRITICAL. THEREFORE THE BUILDER IS ADVISED TO USE A CORNER JOINT THAT DOES NOT REQUIRE ANY SORT OF BRACING THAT DOES NOT REDUCE THE INTERIOR CABINET VOLUME. EXAMPLES OF THIS WOULD BE FINGER JOINTS, DOVE-TAIL JOINTS, OR BISQUITS. IN ALL CASES THE WOOD OF THE CABINET SHOULD BE GLUED ON ALL MATING SURFACES.
- 2 BATTENS ARE ATTACHED TO THE SIDES OF THE CABINET CARCASS WITH WOOD SCREWS AND GLUE. CARE SHOULD BE TAKEN TO ENSURE THAT THE SCREW LOCATIONS DO NOT INTERFERE WITH ANY OF THE BAFFLE BOARD, OR REAR PANEL MOUNTING POINTS SHOWN. EXTREME CARE SHOULD BE TAKEN TO ENSURE THAT THE SCREW DOES NOT BREAK THE OUTSIDE SURFACE, NOR COME ANY CLOSER THAN 1/8" TO THE OUTER SURFACE OF THE CABINET CARCASS ESPECIALLY IF THE OUTER SURFACE IS TO BE FINISHED WOOD. ADDITIONALLY, THE BUILDER IS ADVISED TO INSTALL THE FASTENERS THAT WILL BE USED TO SECURE THE BAFFLE BOARD AND REAR PANELS TO THE BATTENS (T-NUTS FOR EXAMPLE) IN THE BATTENS BEFORE SECURING THE BATTENS TO THE CABINET SO THAT THE BATTEN DOES NOT SPLIT AFTER MOUNTING.

GENERAL CONSTRUCTION NOTES:

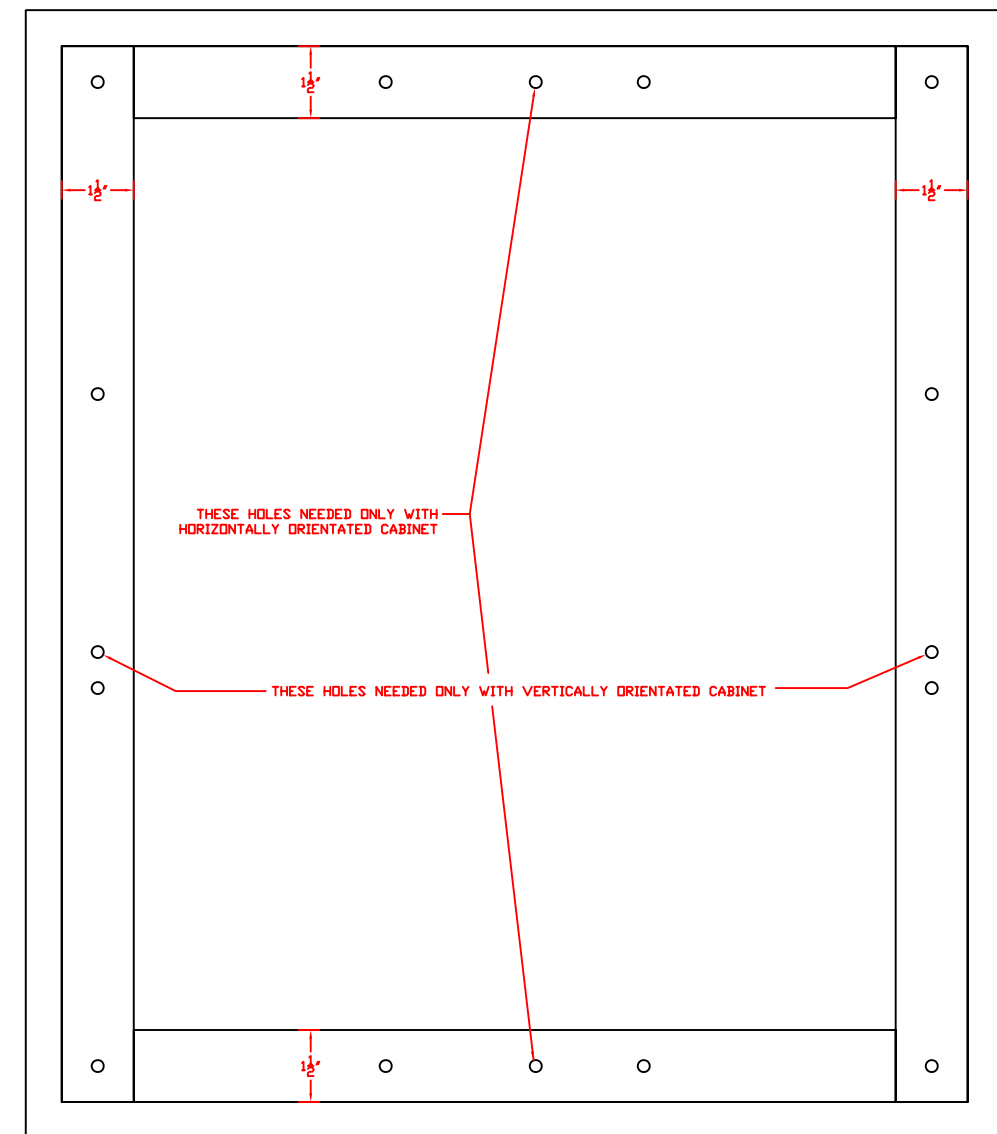
- 1 THIS PLAN HAS NO PROVISIONS FOR EXTERIOR HARDWARE. THE PLACEMENT, AND TYPE OF CABINET HARDWARE SUCH AS CABINET FEET AND HANDLES IS LEFT TO THE BUILDER.
- 2 EXTERIOR DETAILS SUCH AS CONER ROUNDOVERS, COVERINGS, OR FINISH TYPES ARE LEFT TO THE BUILDER.
- 3 CABINET CARCASS CONSTRUCTION MATERIALS ARE LEFT UP TO THE BUILDER. SOME TYPE OF COMMON HARDWOOD, SUCH AS OAK, IS RECOMMENDED FOR THE BATTENS AS THEY ARE SUBJECTED TO STRAIN AND/OR MAY BE CONSIDERABLY WEAKENED BY THE HOLES THAT ARE TO BE DRILLED. THE USE OF VOID-FREE, CABINET GRADE PLYWOOD IS RECOMMENDED FOR THE SPEAKER BAFFLE AS WELL AS THE REAR CABINET PANELS AND THE GRILLE FRAME.
- 4 BE SURE TO SIZE THE HOLES IN THE BATTENS PROPERLY FOR THE TYPE OF FASTENER, SUCH AS A T-NUT, THAT WILL BE USED TO SECURE THE BAFFLE AND REAR PANELS. FAILURE TO CORRECTLY SIZE THE FASTENER HOLE IS LIKELY TO CAUSE THE BATTEN TO SPLIT. THE FASTENER, SUCH AS A T-NUT, SHOULD BE MOUNTED TO THE BATTEN PRIOR TO GLUEING AND SCREWING THE BATTEN TO THE CABINET CARCASS.



Speaker Cabinet Front



Speaker Cabinet Side

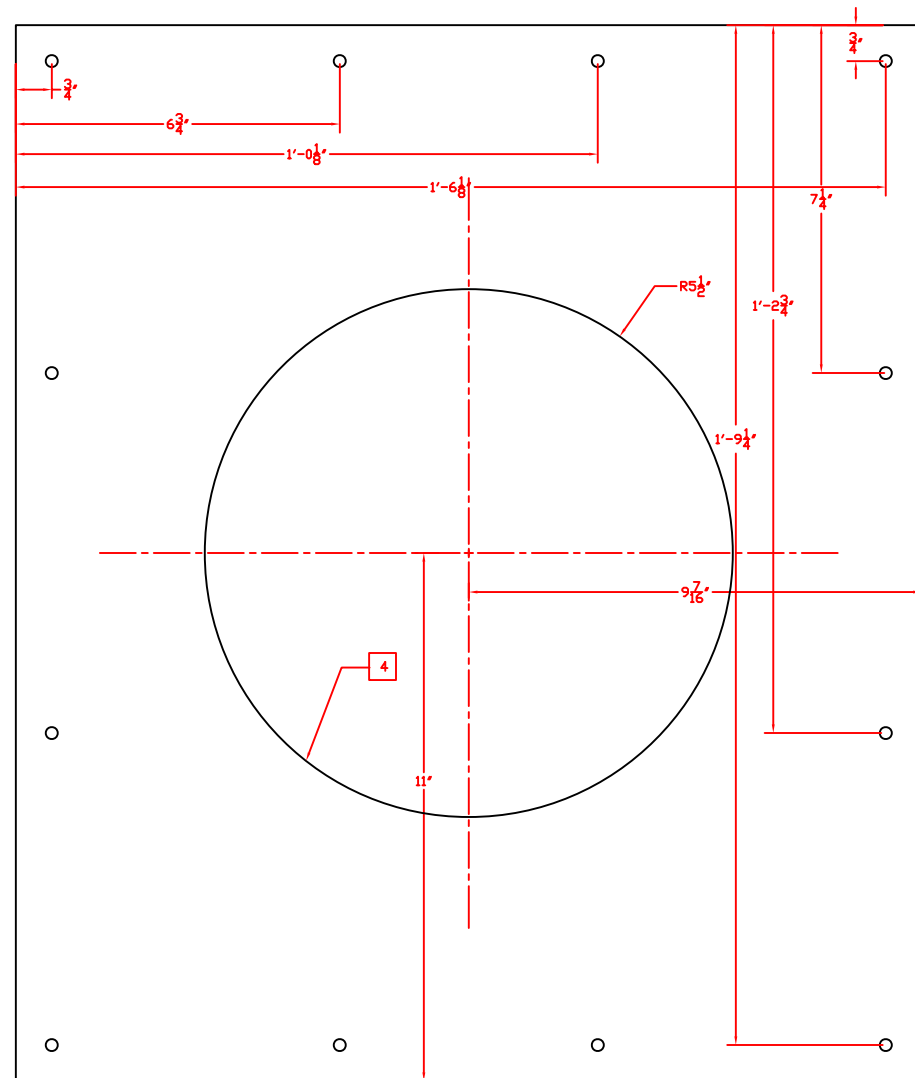


Speaker Cabinet Back

Revision	Description
07.06.15	Issued For Construction
07.06.16	Cabinet And Construction Note Corrections
09.08.03	Removed Grille Cloth Frame & Resized Cabinet

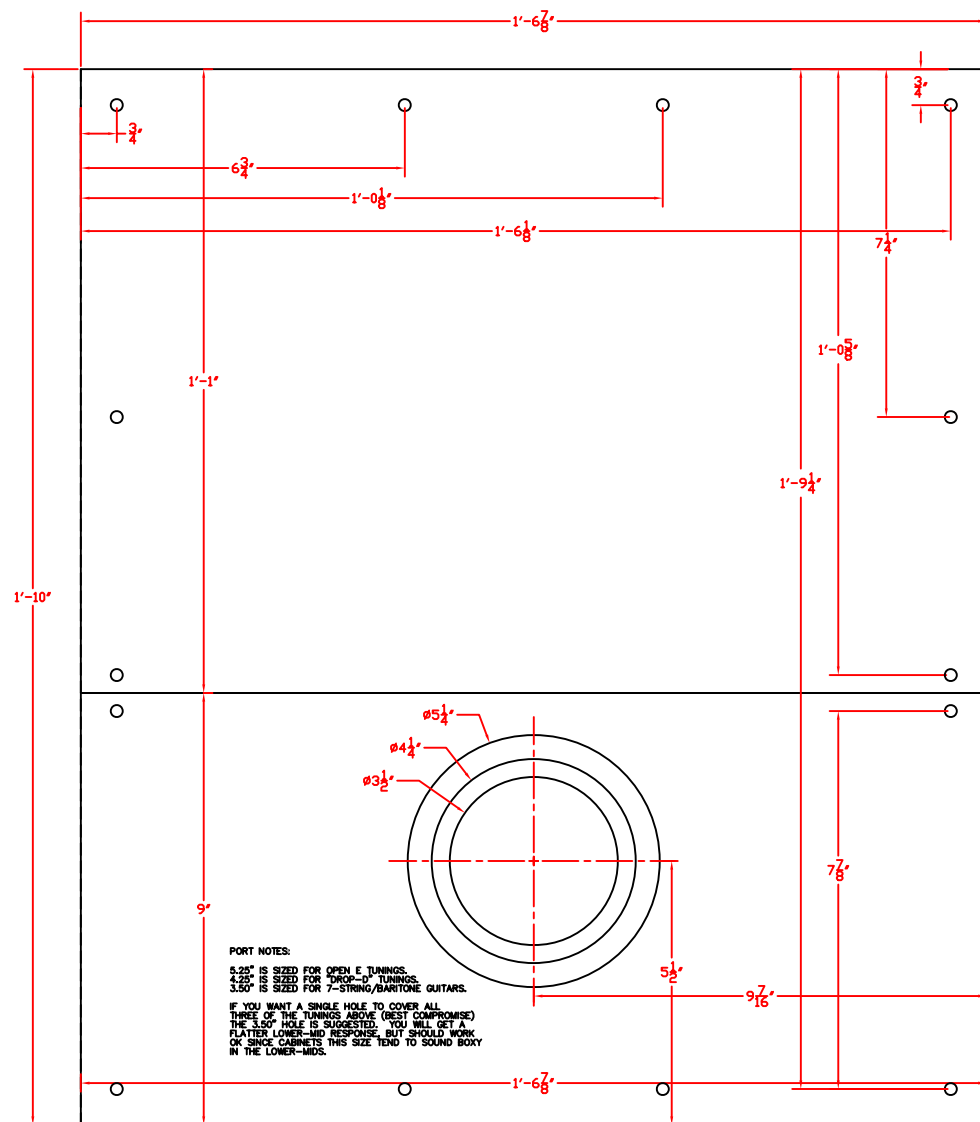
CABINET CONSTRUCTION NOTES:

4 THE CUTOUT SHOWN IN THE SPEAKER BAFFLE HAS BEEN SIZED FOR A GENERIC SPEAKER. THE BUILDER IS ADVISED TO VERIFY THAT THE CUTOUT, AS IT IS SHOWN, IS CORRECT FOR THE SPEAKER TO BE USED IN THE FINISHED CABINET, AND ADJUSTMENTS MADE IF IT IS NOT. NO HOLES HAVE BEEN SHOWN FOR THE SPEAKER MOUNTING FASTENERS AS THE HOLE LOCATIONS FOR THESE FASTENERS VARY FROM SPEAKER MFG. TO SPEAKER MFG. THE CORRECT LOCATIONS FOR THESE HOLES ARE LEFT UP TO THE BUILDER.

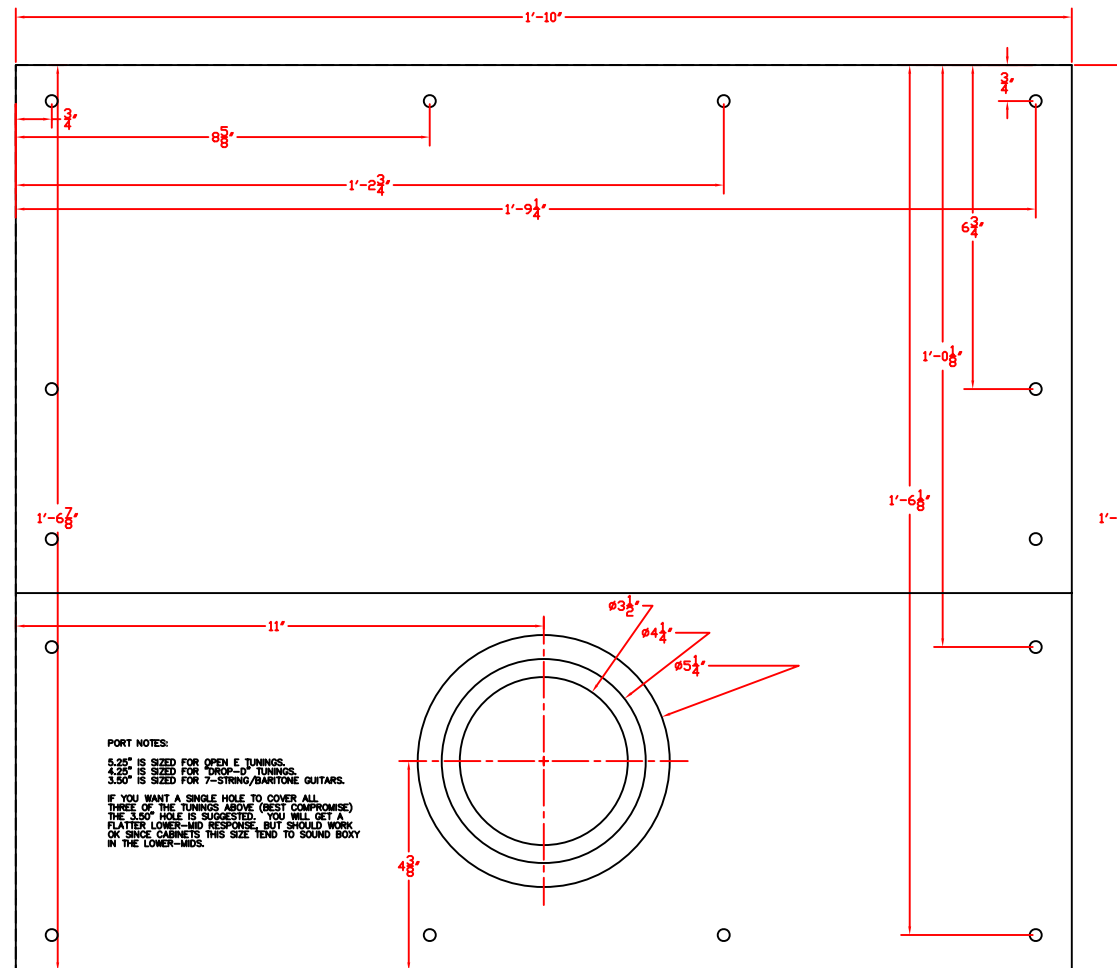


Speaker Cabinet Front Baffle

Revision	Description
07.06.15	Issued For Construction
07.06.16	Cabinet And Construction Note Corrections
09.08.03	Removed Grille Cloth Frame & Resized Cabinet



Vertically Oriented Speaker Cabinet Rear Panels



Horizontally Oriented Speaker Cabinet Rear Panels