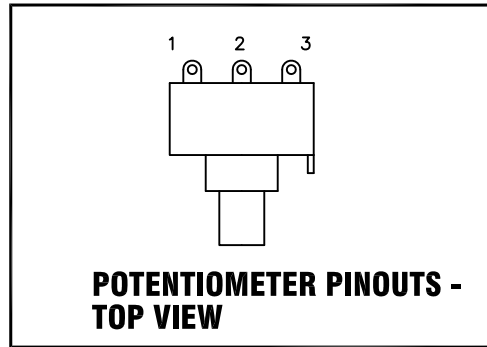


TUNING NOTES:

- 1 VR2 IS INTENDED TO BE A BOARD MOUNTED TRIMMER POT, ALTHOUGH IT COULD BE MOUNTED ON THE FRONT PANEL IF THE BUILDER SHOULD DECIDE TO DO SO.



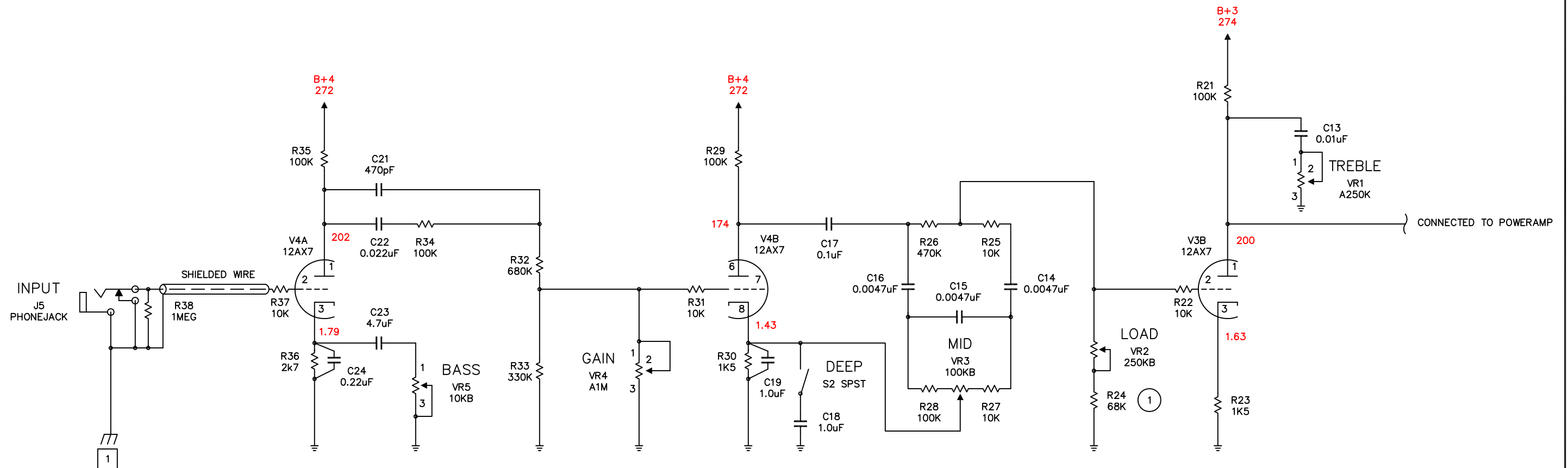
GENERAL NOTES:

1. ALL RESISTORS 1/2W MINIMUM UNLESS OTHERWISE NOTED.
2. ALL COUPLING CAPACITORS 400V OR GREATER.
3. VOLTAGE READINGS ARE THOSE TAKEN WITH MY TUBE SET AT THE MAINS VOLTAGE SHOWN ON THE SCHEMATIC. VOLTAE READINGS TAKEN AT A DIFFERENT MAINS VOLTAGE AND/OR WITH A DIFFERENT TUBE SET WILL DIFFER. TREBLE, MID, AND BASS CONTROLS WERE AT AT 50%, THE GAIN WAS AT 0 WHEN VOLTAGES WERE TAKEN.

CONSTRUCTION NOTES:

- 1 THIS IS A GROUND CONNECTION TO THE CHASSIS. THE MAINS SAFETY CONNECTION SHOULD BE MADE AS CLOSE AS POSSIBLE TO THE POINT WHERE AC ENTERS THE CHASSIS. THE CIRCUIT CONNECTION SHOULD BE MADE AS CLOSE AS POSSIBLE TO THE INPUT JACK. IDEALLY, THE JACK ITSELF SHOULD BE USED AS THE CONNECTION POINT BY NOT ISOLATING IT FROM THE CHASSIS.

Revision	Description
10.05.21	Added Bass Boost Changed Bass And Treble Controls Renumbered Preamp Components
10.06.21	Removed Master Volume Removed C20 Treble Cap Changed To 0.01uF C18 Changed To 1.0uF Updated Voltage Readings
10.09.10	Cleanup Drawings Finalize Project For Official Release
11.03.23	Corrected VR1, VR2, & VR3 Labels On Layout



ChappellAmps

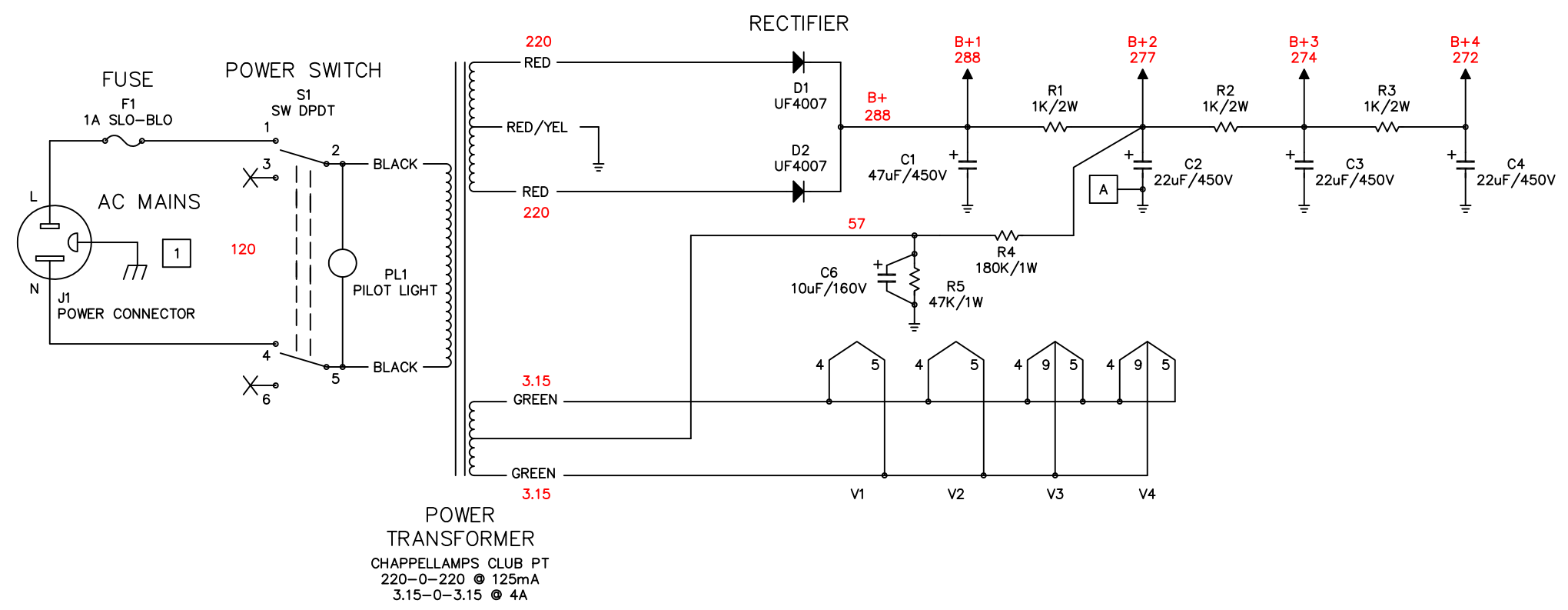
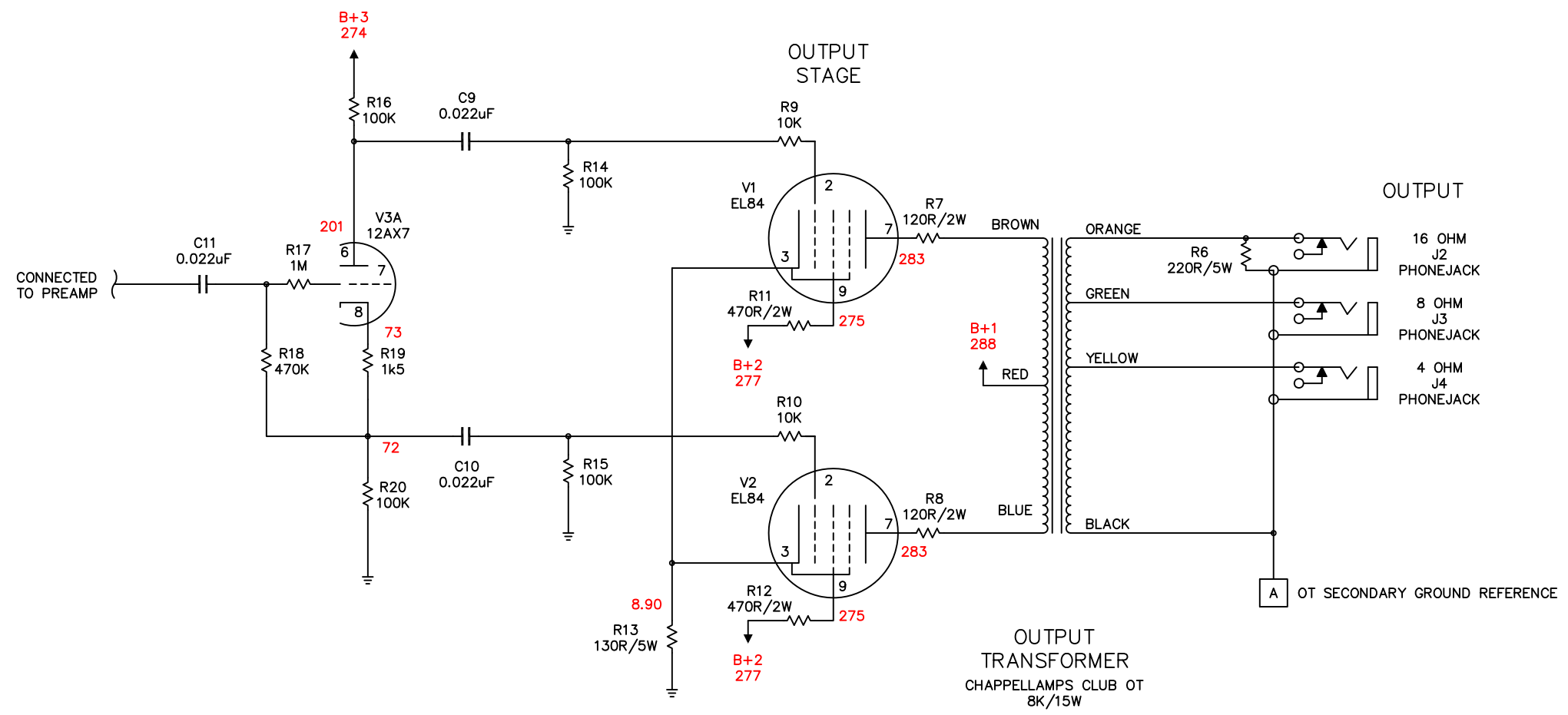
www.chappellamps.com

Title: **Comanchero Club Preamp**

Sheet 1 Of 2

Revision: 11.03.23

Revision	Description
10.05.21	Added Bass Boost Changed Bass And Treble Controls Renumbered Preamp Components
10.06.21	Removed Master Volume Removed C20 Treble Cap Changed To 0.01uF C18 Changed To 1.0uF Updated Voltage Readings
10.09.10	Cleanup Drawings Finalize Project For Official Release
11.03.23	Corrected VR1, VR2, & VR3 Labels On Layout



ChappellAmps
www.chappellamps.com

Title: **Comanchero Club Poweramp**

Comanchero Club Amplifier BOM

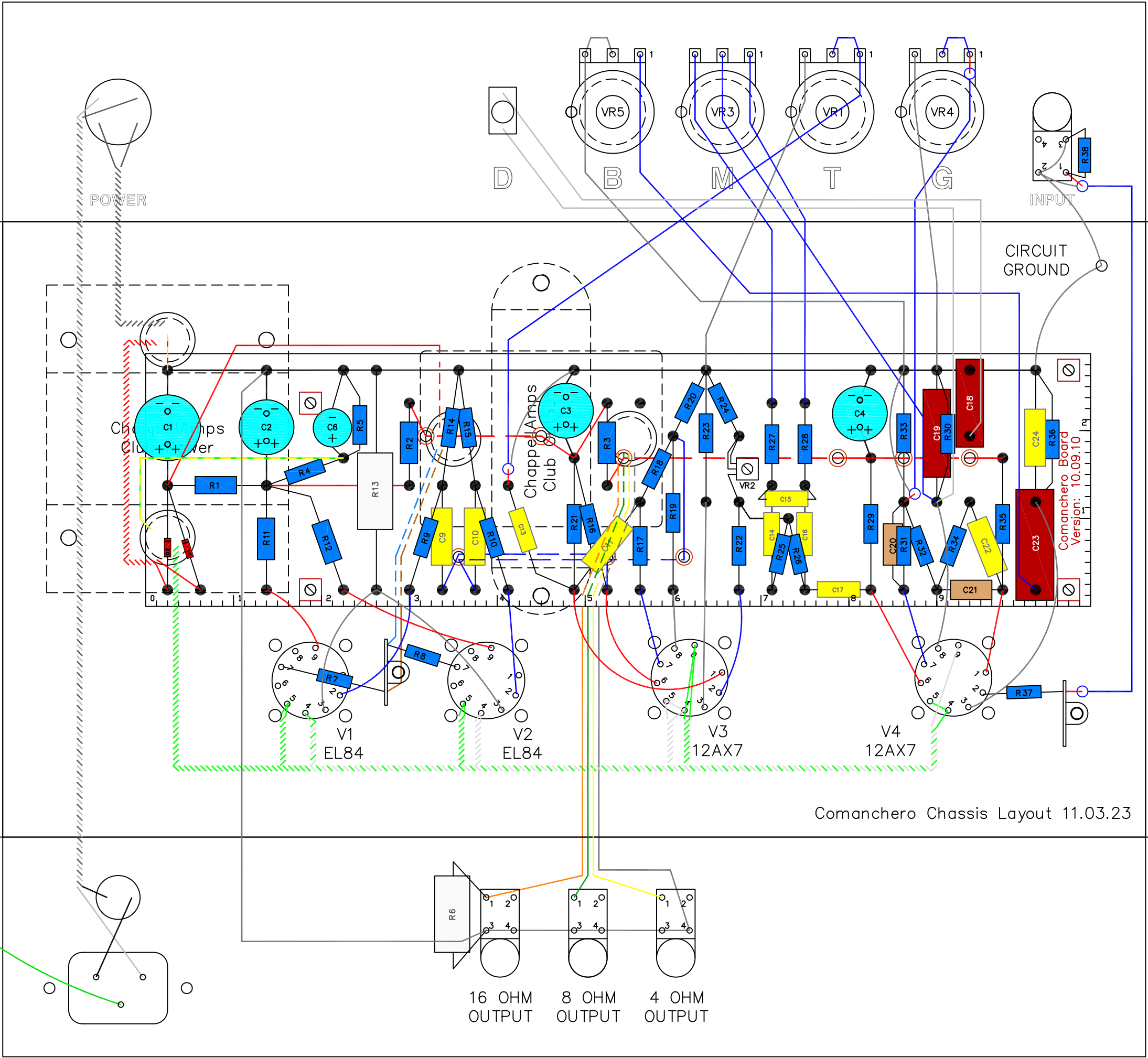
Revision: 11.03.23

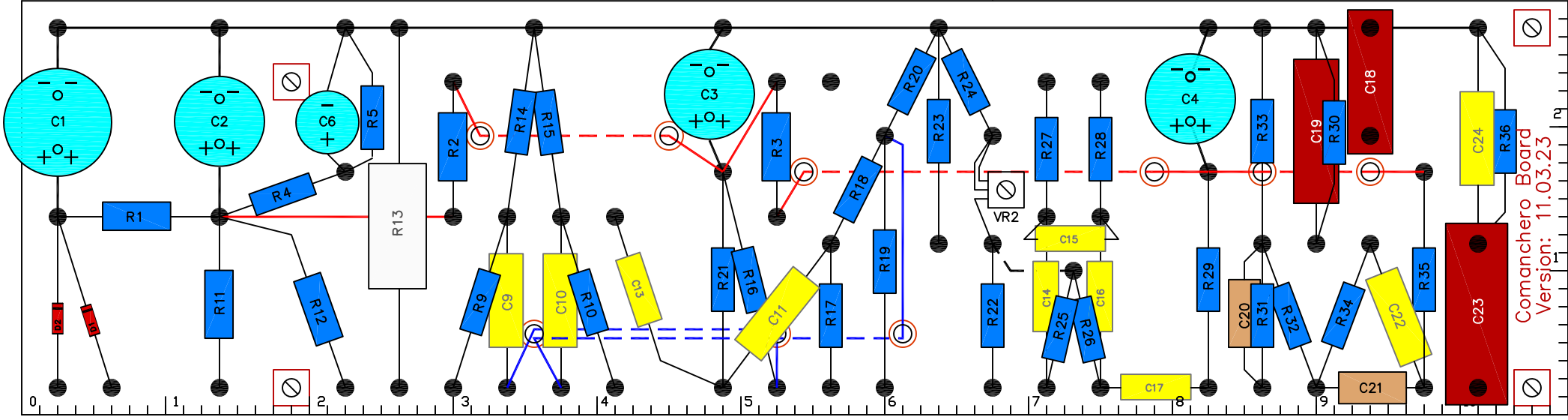
Item	Quantity	Reference	Value
1	1	C1	47uF/450V
2	3	C2, C3, C4	22uF/450V
3	1	C6	10uF/160V
4	4	C9, C10, C11, C22	0.022uF/400V
5	1	C13	0.01uF/400V
6	3	C14, C15, C16	0.0047uF/100V
7	1	C17	0.1uF/400V
8	2	C18, C19	1.0uF/25V
9	1	C21	470pF/500V
10	2	C23	4.7uF/25V
11	1	C24	0.22uF/25V
12	3	R1, R2, R3	1K/2W
13	1	R4	180K/1W
14	1	R5	47K/1W
15	1	R6	220R/5W
16	2	R7, R8	120R/2W
17	7	R9, R10, R22, R25, R27, R31, R37	10K
18	2	R11, R12	470R/2W
19	1	R13	130R/5W
20	9	R14, R15, R16, R20, R21, R28, R29, R34, R35	100K
21	2	R17, R38	1.0M
22	2	R18, R26	470K
23	3	R19, R23, R30	1k5
24	1	R24	68K
25	1	R32	680K
26	1	R33	330K
27	1	R36	2k7
28	1	F1	1A SLO-BLO
29	1	FH1	Fuse Holder
30	1	PWC1	Power Cord
31	1	J1	Power Connector
32	4	J2, J3, J4, J5	Phonejack
33	1	S1	SW DPDT W/ Pilot Light
34	2	D1, D2	UF4007
35	1	T1	ChappellAmps Club PT
36	1	T2	ChappellAmps Club OT
37	4	SK1, SK2, SK3, SK4	9 Pin Tube Sockets
38	2	V1, V2	EL84
39	2	V3, V4	12AX7
40	1	VR1	A250K
41	1	VR2	250KB Trim Pot
42	1	VR3	100KB
43	1	VR4	A1M
44	1	VR5	10KB

45	5	K2, K3, K4, K5	Knobs
46	1	CH1	Chassis
47	1	S2	SW SPST
48	2		3-lug terminal strip
49	6		8-32 x 1/2" screws
50	6		#8 washers
51	6		#8 lock washers
52	6		8-32 nuts
53	2		ground lug
54	14		4-40 x 1/2" screws
55	18		#4 lock washers
56	18		4-40 nuts
57	4		3/8" standoffs
58	4		4-40 x 1/4" screws
59	4		7/16" ID rubber grommets

Resistor values and wattage ratings may be substituted as noted.

Capacitor values and voltage ratings may be substituted as noted.





Comanchero Board
Version: 11.03.23

